



## 2031 TWO LEVER HEAVY DUTY SIDEMOUNT CONTROL

This side-mount control is intended to control water jets, power take-offs, small mechanical clutches, and various other heavy duty applications where 60 series cable is employed. The long handles provide from 3" to 6" stroke. It is possible to use this model on a two-station (in series) application whereby two levers are provided on the backside of the control for connection of two cables, one to the remote station and one to the item to be controlled. The all bronze and stainless steel construction will give years of trouble-free service.

### ORDERING INFORMATION

2031 Two lever sidemount control

2031-2 Two lever sidemount control for two stations (series connection)

Note: For two station, in-series applications, one of each control must be ordered.

Example: 1 only 2031 and 1 only 2031-2

### LETTER CODE DESIGNATION

K – With Chrome finish flange and handle

L – With polished brass finish flange and handle

M – With Black epoxy finish flange and chrome handle

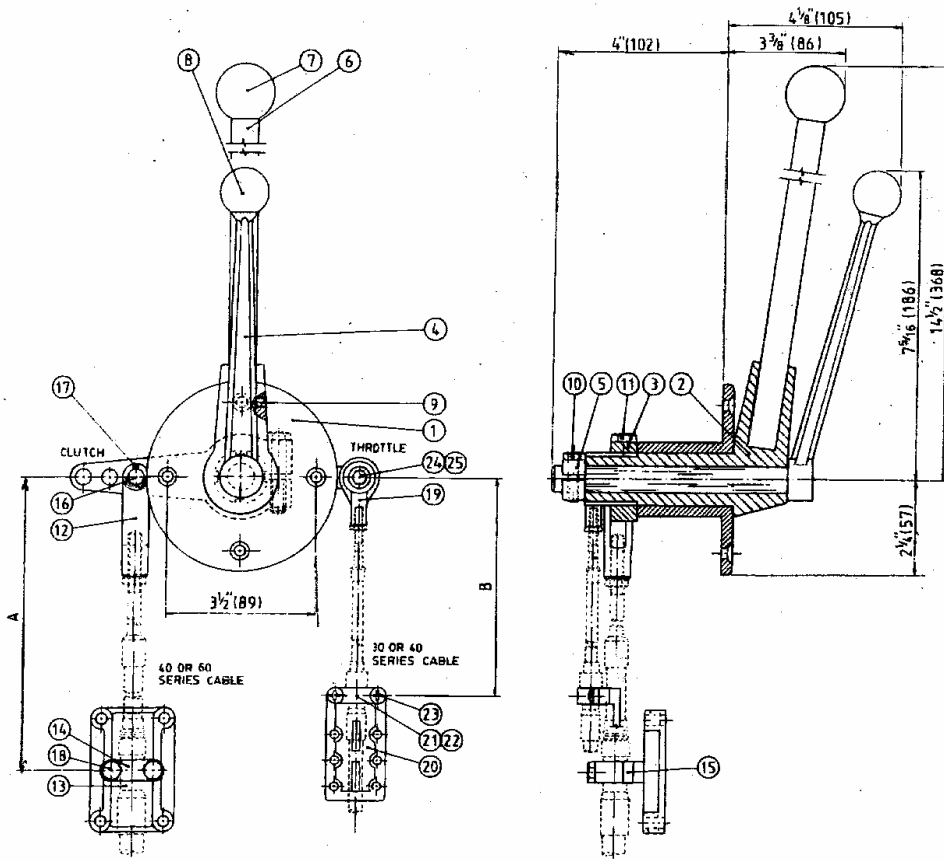
EXAMPLE: For a 2031 control with chrome finish, the order number is 2031-K

One cable connection kit part number 2031-0912 for 60 series cable is included for the regular 2031 model. Two kits are included for model 2031-2.

For the short handle in model 2031 one connection kit must be ordered separately. Model 2031-2 requires two kits.

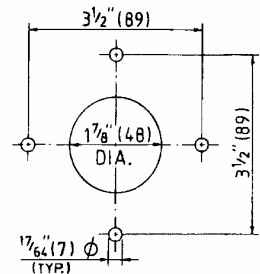
### Ordering Number:

2031-0901 (30 series cable)  
2031-0902 (40 series cable)



To determine dimension "A", the cable must be in the mid position with the clevis attached. To determine dimension "B", the cable with the rod end attached, must be pushed in for pull governors and pulled out for push governors.

"CUT-OUT DIMENSIONS"



| Item                                   | Qty | Part No.  | Description     | Item                                   | Qty | Part No.  | Description    |
|--|-----|-----------|-----------------|--|-----|-----------|----------------|
| 1                                      | 1   | 2031-0001 | Mounting Flange |  |     |           |                |
| 2                                      | 1   | 2031-0002 | Handle Hub      |  |     |           |                |
| 3                                      | 1   | 2031-0003 | Lever           |  |     |           |                |
| 4                                      | 1   | 2030-0002 | Handle Hub      |  |     |           |                |
| 5                                      | 1   | 2104-0003 | Lever           |  |     |           |                |
| 6                                      | 1   | 2031-0006 | Handle shaft    |  |     |           |                |
| 7                                      | 1   | 2030-0001 | Black Knob      |  |     |           |                |
| 8                                      | 1   | 2030-0012 | Red Knob        |  |     |           |                |
| 9                                      | 1   | 1016-1004 | Set Screw       |  |     |           |                |
| 10                                     | 1   | 1001-1014 | Hex Hd Screw    |  |     |           |                |
| 11                                     | 1   | 1001-1124 | Hex Hd Screw    |  |     |           |                |
| <b>2031-0912 (60 series) cable kit</b> |     |           |                 | <b>2031-0902 (40 series) cable kit</b> |     |           |                |
| 12                                     | 1   | 2031-0004 | Clevis          | 19                                     | 1   | 2144      | Rod End        |
| 13                                     | 1   | 2031-0005 | Bracket         | 20                                     | 1   | 2131-0001 | Bracket        |
| 14                                     | 1   | 2108-0004 | Clamp           | 21                                     | 1   | 2108-0002 | Clamp          |
| 15                                     | 1   | 2109-0004 | Spacer          | 22                                     | 1   | 2109-0001 | spacer         |
| 16                                     | 1   | 2031-0007 | Pin             | 23                                     | 2   | 1010-0814 | Round Hd Screw |
| 17                                     | 2   | 1026-0312 | Cotter Pin      | 24                                     | 1   | 1001-1014 | Hex Hd Screw   |
| 18                                     | 2   | 1001-1020 | Hex Hd Screw    | 25                                     | 1   | 1022-0110 | Nut            |
|  |     |           |                 | <b>2031-0901 (30 series) cable kit</b> |     |           |                |
|  |     |           |                 | 19                                     | 1   | 2144-3    | Rod End        |
|  |     |           |                 | 20                                     | 1   | 2131-0001 | Bracket        |
|  |     |           |                 | 21                                     | 1   | 2108-0001 | Clamp          |
|  |     |           |                 | 22                                     | 1   | 2109-0001 | spacer         |
|  |     |           |                 | 23                                     | 2   | 1010-0810 | Round Hd Screw |
|  |     |           |                 | 24                                     | 1   | 1001-1014 | Hex Hd Screw   |
|  |     |           |                 | 25                                     | 1   | 1022-0110 | Nut            |